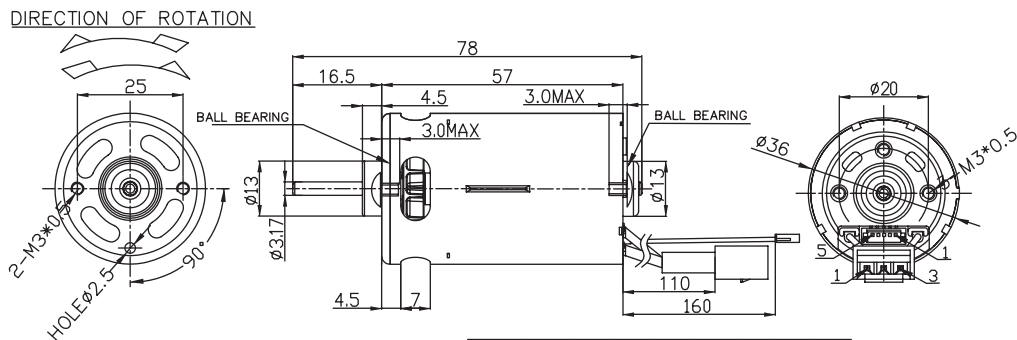


BL3657S

Brushless DC Motor

Application : Vacuum Cleaner 、 Ventilator

用途：吸塵器、呼吸機



WEIGHT : 260g (APPROX)

Built-in Controller
內置控制器

NO.	1	2	3	1	2	3	4	5
WIRE	U	V	W	+5V	Hc	Hb	Ha	Grnd
COLOR	Grey	Brown	White	Red	Green	Blue	Yellow	Black
Type	UL3135	18AWG		UL1007	26AWG			

MODEL	VOLTAGE		NO LOAD		AT MAXIMUM EFFICIENCY					STALL			
	OPERATING RANGE	NOMINAL	SPEED	CURRENT	SPEED	CURRENT	TORQUE		OUTPUT	EFF	CURRENT	TORQUE	
			rpm	A	rpm	A	Kg-cm	N-m	W	%	A	Kg-cm	N-m
BL3657S-14V30K150W-B1X0N	7.0-36.0	14.0V CONSTANT	30000	1.26	24938	15.84	0.58	0.056	149.56	69	87.69	4.04	0.40
BL3657S-36V19K100W-B1X0N	7.0-36.0	36.0V CONSTANT	19300	0.30	16920	3.84	0.63	0.061	108.78	80	24.69	4.50	0.44
BL3657S-12V21K60W-B1X0N	7.0-36.0	12.0V CONSTANT	21000	0.80	19048	6.02	0.31	0.030	60.25	85	51.33	2.96	0.29
BL3657S-7.2V15.3K40W-B1X0N	7.0-36.0	7.2V CONSTANT	15300	0.74	13755	6.40	0.26	0.025	36.02	79	48.96	2.26	0.48

馬達的出軸長度及性能參數，EMC 對策可依客人要求做調整，詳情可詢問相關業務人員。
Please inquire your sales representative for output, performance and EMC solution.

