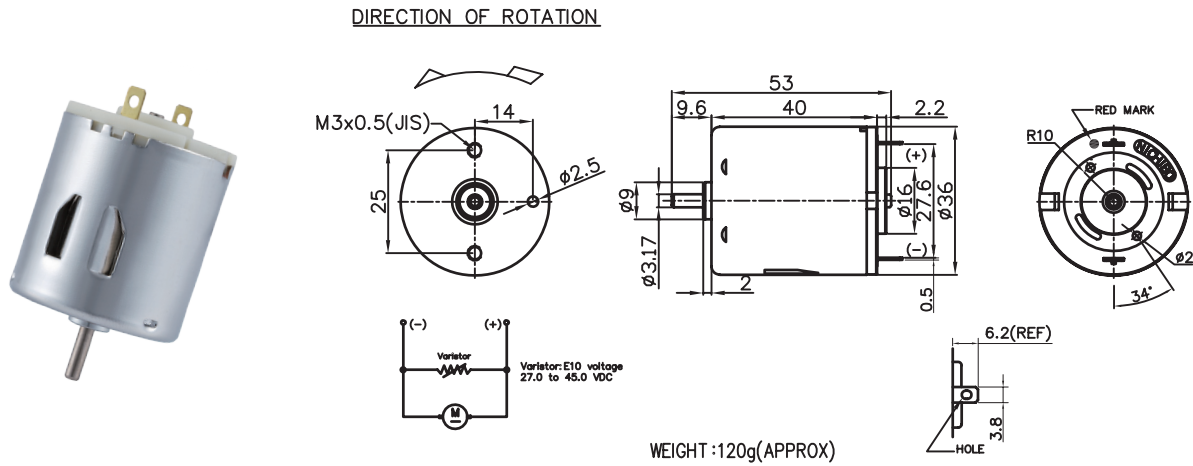


RK-525

Carbon-brush motors

Application : Drill & Screwdriver 、 Game pads

用途：電動工具、電玩手把



MODEL	VOLTAGE		NO LOAD		AT MAXIMUM EFFICIENCY					STALL			
	OPERATING RANGE	NOMINAL	SPEED	CURRENT	SPEED	CURRENT	TORQUE	OUTPUT	EFF	CURRENT	TORQUE		
			rpm	A	rpm	A	g-cm	mN-m	W	%	A	g-cm	mN-m
RK-525B-15180S	6.0 - 36.0	24.0V CONSTANT	5700	0.11	4613	0.39	118	11.57	5.59	63	1.81	688	67.45
RK-525B-2480	6.0 - 36.0	12.0V CONSTANT	6450	0.42	5131	0.96	136	13.33	7.15	64	4.21	727	71.72

馬達的出軸長度及性能參數，EMC 對策可依客人要求做調整，詳情可詢問相關業務人員。
Please inquire your sales representative for output, performance and EMC solution.

