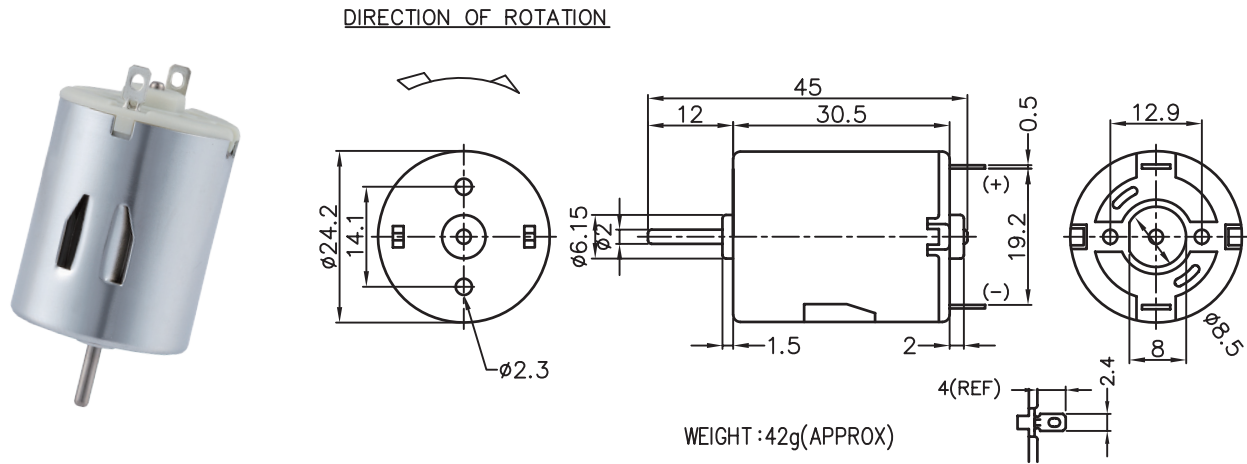


FC-280

Carbon-brush motors

Application : Hair Clipper 、 Massager 、 R/C Car

用途：電動理髮器、電動按摩器、遙控車



MODEL	VOLTAGE		NO LOAD		AT MAXIMUM EFFICIENCY					STALL			
	OPERATING RANGE	NOMINAL	SPEED	CURRENT	SPEED	CURRENT	TORQUE	OUTPUT	EFF	CURRENT	TORQUE		
			rpm	A	rpm	A	g-cm	mN-m	W	%	A	g-cm	mN-m
FC-280-20120-N	4.5 - 9.0	6.0V CONSTANT	10000	0.13	7800	0.60	21.62	2.11	1.70	50.00	2.23	105	10.29
FC-280-12280-N	6.0 - 12.0	12.0V CONSTANT	8700	0.07	6800	0.26	21.38	2.10	1.50	48.59	0.95	100	9.80
FC-280S-2865-N	4.5 - 6.0	4.5V CONSTANT	10000	0.28	8300	1.39	38.45	3.77	3.29	52.53	6.95	230	22.55
FC-280S-20120-N	4.5 - 12.0	12.0V CONSTANT	15700	0.21	12853	0.92	54.96	5.39	7.22	66.35	4.49	323	31.67

馬達的出軸長度及性能參數，EMC 對策可依客人要求做調整，詳情可詢問相關業務人員。
Please inquire your sales representative for output, performance and EMC solution.

